



18-Gallon Self-Evacuating Oil Drain

Model Model: JDI-18DC
Operator's Manual

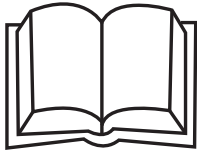


JohnDow Industries, Inc.
151 Snyder Ave.
Barberton, OH 44203

www.johndow.com
customerservice@johndow.com

REV 9/11/17

Safety & Warning Instructions



READ THIS MANUAL CAREFULLY BEFORE INSTALLING, OPERATING OR SERVICING THIS EQUIPMENT

It is responsibility of the employer to place this information in the hands of the operator.
Keep for future reference.

- Wear proper safety equipment and clothing, safety glasses/goggles.
- Hot automotive fluids can burn and injure eyes and body.
- Opening a hot system can cause these fluids to be forcibly sprayed in all directions.
- Use care to position the oil drain under the anticipated fluid stream and adjust as necessary until all fluids are collected.
- Be aware of natural wind, fans or other factors that may alter the fluid stream that may cause injury or contamination of the surroundings.
- Use motor oil is flammable. Keep away from flames, sparks, and other sources fo ignition.
- **DO NOT** exceed 10 PSI (0.7 bar) supply pressure

U.S. Environmental Regulations

- Certain automotive fluids are considered to be compatible for recycling used oil per the US Environmental Protection Agency (EPA). Other types of fluids my not be mixed with used motor oil and must be handled separately. See definitions below:

Used Oil:

- Synthetic Oil
- Engine Oil
- Transmission Oil
- Brake Fluid
- Hydraulic Oils Cutting / Metal-working Oils

NOT Used Oil:

- Antifreeze
- Gasoline
- Kerosene
- Petroleum distillates and Solvents
- Vegetable or Animal Oil

- Tank should be in good condition with no visible leaks. Repair leaks, clean up spills and properly dispose of waste material.
- Close all valves when the oil drain is not being filled or emptied.

Product Specifications:

Tank Type:	Steel, portable
Functional Capacity:	17.1 gallons, (65 liters)
Funnel Type:	Steel, reinforced center mount
Funnel Inside Diameter:	14 inch (355 mm)
Extended Funnel Height:	36.2 to 59.01 inch (119 to 178 cm)
Weight:	42 lbs. (19.1 kg) w/out hose

Tools Required:

3mm hex wrench

3/4" (19 mm) wrench or socket

1/4" NPT quick connector for shop air connections (not included)

Assembly Instructions

1. Install 4 casters, washers, lock washers. Tighten the nuts until split lock washer is fully flat.
2. Thread downtube collar onto the top of the tank. Continue turning until collar bottoms out snug on tank fitting. Tighten set screw with 3mm hex wrench.
3. Thread funnel into the top adapter of the down tube. Tighten securely by hand, and then tighten the set screw to secure.
4. Install 1/4" NPT quick connector into ball valve (not included).

Operating Instructions

1. Raising and Lowering the Funnel. Loosen the height adjustment knob and raise funnel to desired height. Tighten to secure position.
2. Prior to filling drain, verify that sufficient capacity remains in the drain. **DO NOT OVERFILL.**
3. Emptying Used Oil from Drain
 - a. The drain is designed to be evacuated using compressed air.
 - b. Position and secure the discharge hose to the used storage tank.
 - c. Verify the air control valve is closed before attaching compressed air supply line. Maximum supply pressure is 10 PSI
 - d. Slowly open the air supply valve to pressurize the tank and start evacuation process. The auto-check valve will automatically seal the funnel down tube during evacuation.
4. When drain is empty, close air control valve and disconnect the air supply hose.

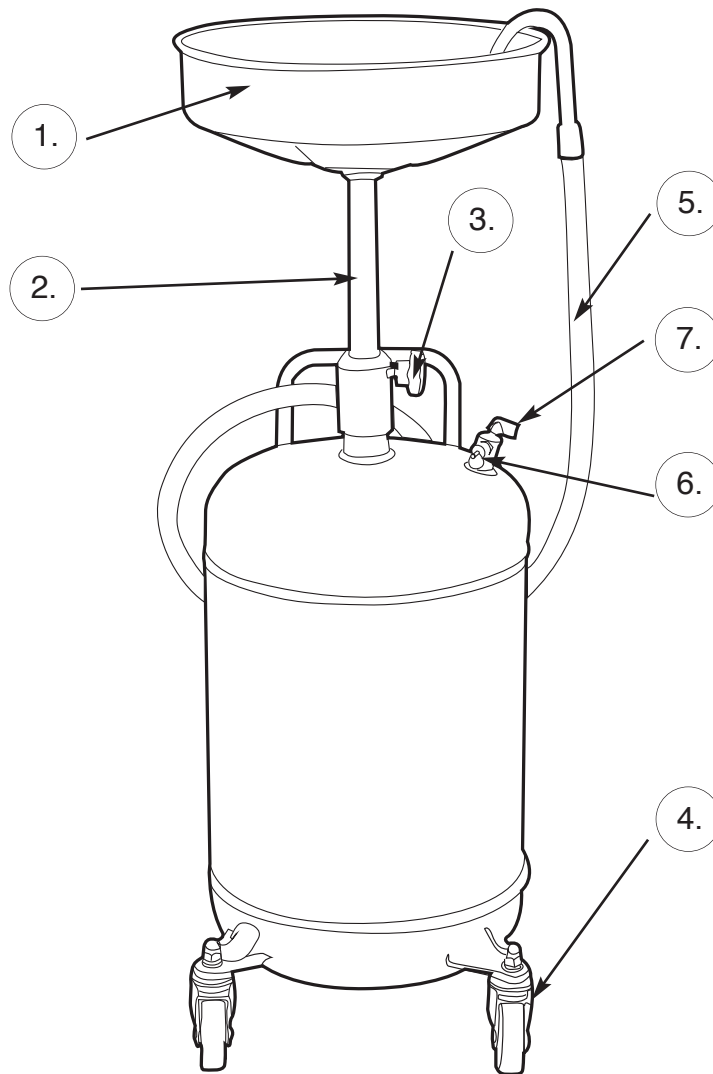
Maintenance & Storage

1. Periodically check the hose and fitting for visible leaks. Service as necessary.
2. Lower the funnel when not in use and wrap hose around handle.

Replacement Parts:

Item	Description	Qty	Part No.
1	14" Funnel, center mount	1	18DC-FUN
2	Down tube assembly (tube, collar, knob)	1	DTA-25
3	Adjustment knob	1	20DCE-6
4	3-inch caster (includes nut and washers)	4	18DC-WHEEL

Item	Description	Qty	Part No.
5	Evacuation hose	1	20DCE-2
6	Pressure relief valve	1	20DCE-4
7	On/off valve	1	AV-38



For Service Assistance
Phone Toll Free 1-800-433-0708
www.johndow.com